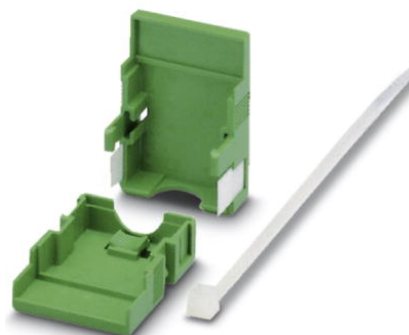


**KGG-MC 1,5/ 4**

Order No.: 1834369

<http://eshop.phoenixcontact.de/phoenix/treeViewClick.do?UID=1834369>

Cable housing, for cable diameters of up to 8.5 mm, cable ties and marker strips are included, color: green, no. of positions: 4

**Commercial data**

EAN	4017918051884
Pack	10 Pcs.
Customs tariff	85369010
Weight/Piece	0.00472 KG
Catalog page information	Page 166 (CC-2007)

**Product notes**

WEEE/RoHS-compliant since:  
01/01/2003



<http://www.download.phoenixcontact.com>  
Please note that the data given here has been taken from the online catalog. For comprehensive information and data, please refer to the user documentation. The General Terms and Conditions of Use apply to Internet downloads.

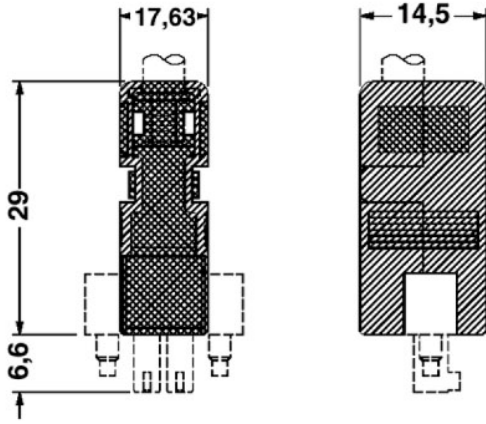
**Accessories**

Item	Designation	Description
<b>Marking</b>		
1007248	SBS10:UNBEDRUCKT	Marker cards, unprinted, for individual labeling with the M-PEN, 250-section, perforated, white plastic

## Drawings

Dimensioned drawing

---



**Address**

PHOENIX CONTACT GmbH & Co. KG  
Flachsmarktstr. 8  
32825 Blomberg, Germany  
Phone +49 5235 3 00  
Fax +49 5235 3 41200  
<http://www.phoenixcontact.de>



© 2008 Phoenix Contact  
Technical modifications reserved;